

AMENDMENT OF SOLICITATION/MODIFICATION OF CONTRACT			1. CONTRACT ID CODE J	PAGE OF PAGES 1 8
2. AMENDMENT/MODIFICATION NO. 0003	3. EFFECTIVE DATE 11-Jun-2012	4. REQUISITION/PURCHASE REQ. NO.		5. PROJECT NO.(If applicable)
6. ISSUED BY NAVFAC SOUTHEAST IPT SOUTH CENTRAL BLDG 135, PO BOX 30 NAS JACKSONVILLE JACKSONVILLE FL 32212-0030	CODE N69450	7. ADMINISTERED BY (If other than item 6) See Item 6		
8. NAME AND ADDRESS OF CONTRACTOR (No., Street, County, State and Zip Code)		X	9A. AMENDMENT OF SOLICITATION NO. N69450-12-R-1765	
		X	9B. DATED (SEE ITEM 11) 04-May-2012	
			10A. MOD. OF CONTRACT/ORDER NO.	
			10B. DATED (SEE ITEM 13)	
CODE	FACILITY CODE			
11. THIS ITEM ONLY APPLIES TO AMENDMENTS OF SOLICITATIONS				
<input checked="" type="checkbox"/> The above numbered solicitation is amended as set forth in Item 14. The hour and date specified for receipt of Offer <input type="checkbox"/> is extended, <input checked="" type="checkbox"/> is not extended. Offer must acknowledge receipt of this amendment prior to the hour and date specified in the solicitation or as amended by one of the following methods: (a) By completing Items 8 and 15, and returning <u>1</u> copies of the amendment; (b) By acknowledging receipt of this amendment on each copy of the offer submitted; or (c) By separate letter or telegram which includes a reference to the solicitation and amendment numbers. FAILURE OF YOUR ACKNOWLEDGMENT TO BE RECEIVED AT THE PLACE DESIGNATED FOR THE RECEIPT OF OFFERS PRIOR TO THE HOUR AND DATE SPECIFIED MAY RESULT IN REJECTION OF YOUR OFFER. If by virtue of this amendment you desire to change an offer already submitted, such change may be made by telegram or letter, provided each telegram or letter makes reference to the solicitation and this amendment, and is received prior to the opening hour and date specified.				
12. ACCOUNTING AND APPROPRIATION DATA (If required)				
13. THIS ITEM APPLIES ONLY TO MODIFICATIONS OF CONTRACTS/ORDERS. IT MODIFIES THE CONTRACT/ORDER NO. AS DESCRIBED IN ITEM 14.				
A. THIS CHANGE ORDER IS ISSUED PURSUANT TO: (Specify authority) THE CHANGES SET FORTH IN ITEM 14 ARE MADE IN THE CONTRACT ORDER NO. IN ITEM 10A.				
B. THE ABOVE NUMBERED CONTRACT/ORDER IS MODIFIED TO REFLECT THE ADMINISTRATIVE CHANGES (such as changes in paying office, appropriation date, etc.) SET FORTH IN ITEM 14, PURSUANT TO THE AUTHORITY OF FAR 43.103(B).				
C. THIS SUPPLEMENTAL AGREEMENT IS ENTERED INTO PURSUANT TO AUTHORITY OF:				
D. OTHER (Specify type of modification and authority)				
E. IMPORTANT: Contractor <input type="checkbox"/> is not, <input type="checkbox"/> is required to sign this document and return _____ copies to the issuing office.				
14. DESCRIPTION OF AMENDMENT/MODIFICATION (Organized by UCF section headings, including solicitation/contract subject matter where feasible.) The purpose of this amendment is to: 1) Revise the Basis of Evaluation and Submittal Requirements for Price. 2) Revise the title and the number of calendar days for bid acceptance on Page 2 of DD1155. 3) Add Pre-Proposal Conference documents, Updated MACS form, and Show or Detail to the list of SPECIFICATIONS/DRAWINGS/ATTACHMENTS for the RFP. 4) Revise the specifications and drawings. All other terms and conditions remain unchanged. Except as provided herein, all terms and conditions of the document referenced in Item 9A or 10A, as heretofore changed, remains unchanged and in full force and effect.				
15A. NAME AND TITLE OF SIGNER (Type or print)		16A. NAME AND TITLE OF CONTRACTING OFFICER (Type or print)		
		TEL:	EMAIL:	
15B. CONTRACTOR/OFFEROR _____ (Signature of person authorized to sign)	15C. DATE SIGNED	16B. UNITED STATES OF AMERICA BY _____ (Signature of Contracting Officer)		16C. DATE SIGNED 11-Jun-2012

SECTION SF 30 BLOCK 14 CONTINUATION PAGE

SUMMARY OF CHANGES

SECTION SF 30 - BLOCK 14 CONTINUATION PAGE

The following have been added by full text:

AMENDMENT 0003

The following changes have been made to the RFP documents and are included in this amendment:

(For your convenience, revisions to the RFP section have been highlighted and only paragraphs containing the revised portions are shown. Otherwise, the content of the RFP, shown and not shown, remain unchanged.)

SECTION 00202

III. EVALUATION

E. EVALUATION FACTORS FOR AWARD

3. Basis of Evaluation and Submittal Requirements for each factor.

a. Price:

(1) Solicitation Submittal Requirements:

(i) Executed SF 1442. Offerors shall insert their company name, address, DUNS & TIN Numbers in Block #14, telephone number and Email address in Block #15, acknowledge all amendments in Block #19 (if applicable), name and title of person authorized to sign in Block #20A, signature in Block #20B, and offer date in Block #20C of the SF1442.

(ii) Executed DD1155. Offeror shall insert its company name and address in Block 9, signature, date signed, and name and title of person authorized to sign in Block 16, and the seed project total proposed price on Page 2 of the DD1155.

(iii) Bid bond (SF-24). Offeror shall submit a bid bond (SF-24) in the amount of 20% of total seed project bid price or \$3,000,000, whichever amount is less.

(iv) Ensure current registration on the Central Contractor Registration (CCR) Website, www.ccr.gov.

(v) Ensure that you have completed/updated your Annual Representations and Certifications on the ORCA Website, <http://orca.bpn.gov/>.

(vi) VETS-100 registration: Offeror shall ensure current VETS-100 report on the Department of Labor website <https://vets100.vets.dol.gov/login.aspx> is complete and updated for this procurement.

(2) Basis of Evaluation: Proposers will be evaluated on the information required to be submitted in paragraph (a) above and the seed project price based on the total price for **item 0001**. Total price consists of the basic requirement. Analysis will be performed by one or more of the following techniques to ensure a fair and reasonable price:

- (i) Comparison of proposed prices received in response to the RFP.
- (ii) Comparison of proposed prices with the IGE.
- (iii) Comparison of proposed prices with available historical information.
- (iv) Comparison of market survey results.

(End of Section)

Section 00800 – Special Contract Requirements
SEED PROJECT

DD1155 PAGE 2 SCHEDULE OF SUPPLIES/SERVICES FOR
N69450-12-R-1765 SEED PROJECT

(DD1155 is available on NECO under the Additional Documents section of this RFP)

The offeror agrees to perform the work required at the proposed Firm Fixed Price specified below in strict accordance with the terms and conditions and regulatory requirements of this solicitation, as well as those specified in the original contract against which this task order will be issued, if this offer is accepted by the Government in writing within 120 calendar days after the date offers are due. Bid should include all labor, equipment, materials, lower-tier subcontractors, and supplies necessary to complete the activities specified in the solicitation.

The offeror agrees to furnish any required performance and payment bonds.

<u>ITEM NO</u>	<u>SCHEDULE OF SUPPLIES/SERVICE</u>	<u>AMOUNT</u>
0001	Renovate Hangar 728 Admin Spaces, MCLB Beaufort, SC per plans and specs provided by NAVFAC SE.	\$ _____

All post award submittals, correspondence, contact, etc. shall be directed to the office identified in Block 7 of the DD Form 1155. Specific point of contact is:

(name and contact info to be completed at time of award)

(End of Section)

Section 00800 – Special Contract Requirements

SEED PROJECT

Section 00800 – Special Contract Requirements

PARTS 2 – 6 - SPECIFICATIONS/DRAWINGS/ATTACHMENTS

Hangar 728 Drawings

Hangar 728 Hazmat Report 08-18-11

Hangar 728 Project Specifications

Hangar 728 Reference Drawings

Hangar 728 Roofing Report 12-12-11

MACC Specs Part 1 - Div 01 General Requirements

MACC Specs Part 2 - Technical Specifications

PPI 27 Shower Curb Detail

MCAS Beaufort Map

Vehicle Pass

PPI Log Template

PPQ

Updated MACS Form

Pre-Proposal Conference Agenda and Attendance Roster

The above files have been posted to NECO as Additional Documents and can be found under the section at the top of the NECO page (below Solicitation Number) entitled Documents - [Click here for Additional Documents.](#)

(End of Section)

The following changes have been made to the specifications and drawings and are included in this amendment:

SECTION 00102 LIST OF DRAWINGS

Add the following paragraph:

“1.2.1 Changes

Make the following changes:

<u>NAVFAC DRAWING NO.</u>	<u>CHANGE</u>	<u>TITLE/DESCRIPTION OF CHANGE</u>
A2.1		FIRST FLOOR PLAN
	1.	Add the following to NOTE 8: “Contractor to provided new non-slip rubber treads, risers, and landing. Motivational words will not be replaced. “
A5.1		EXTERIOR ELEVATIONS – SOUTH & EAST
	1.	Add the following SHEET NOTE: “Pressure wash the exterior of the building to remove existing dirt and grime. Collect and contain any and all debris created. Doors and support structures to be repainted. “
	2.	Add the following SHEET NOTE: “The stair step parapet walls may be capped at existing CMU mortar joints. Verify proposed joint locations with the Contracting Officer prior to demolition. “
A5.2		EXTERIOR ELEVATIONS – NORTH & WEST
	1.	Add the following SHEET NOTE: “Pressure wash the exterior of the building to remove existing dirt and grime. Collect and contain any and all debris created. Doors and support structures to be repainted. “
A6.1		ENLARGED PLANS & ELEVATIONS FIRST FLOOR
	1.	Make the following change to the ACCESSORY SCHEDULE: Change item “M” to read “Lockers” instead of “Metal Lockers.”

A7.0

SCHEDULES & LEGENDS

1. Add the following to the FINISH NOTES: “The toilet partitions shall be solid plastic, color shall be stainless with hammered finish. “

2. Add the following to the GENERAL NOTES: “Basis of design for entry mat is CS Pedisystems, style Peditred LP. Aluminum frame, recycled rubber treads, .5 inches thick, color by owner, recess into existing slab to provide flush finish. “

A8.0

ARCHITECTURAL DETAILS

1. Add the following SHEET NOTE: “Interior signage will be provided for each interior door. Sign will be located on the left side of the door. The center line of the sign will be located 5’ 0” above finished floor. “

P2.3

ENLARGED PLUMBING PLANS - FIRST FLOOR

1. Add the following to NOTE 6: “Construct all showers with a typical floor curb. “

M3.0

MECHANICAL PLANS – SUPPLY/RETURN DUCTWORK

1. Add the following to the SHEET NOTES: “The discharge of ERV1 shall be ducted to AH3 with the duct size being the full return opening size of AH3. “

SPECIFICATION

CHANGE

TITLE/DESCRIPTION OF CHANGE

SECTION 07 42 13

METAL WALL PANELS

1. Add the following sentence to paragraph 1.3: “Insulated panels to be 2” thick with ½” reveal, smooth texture, flat

profile, factory paint finish to match existing panels, gutter, and downspouts. Contractor to verify new panels match existing.”

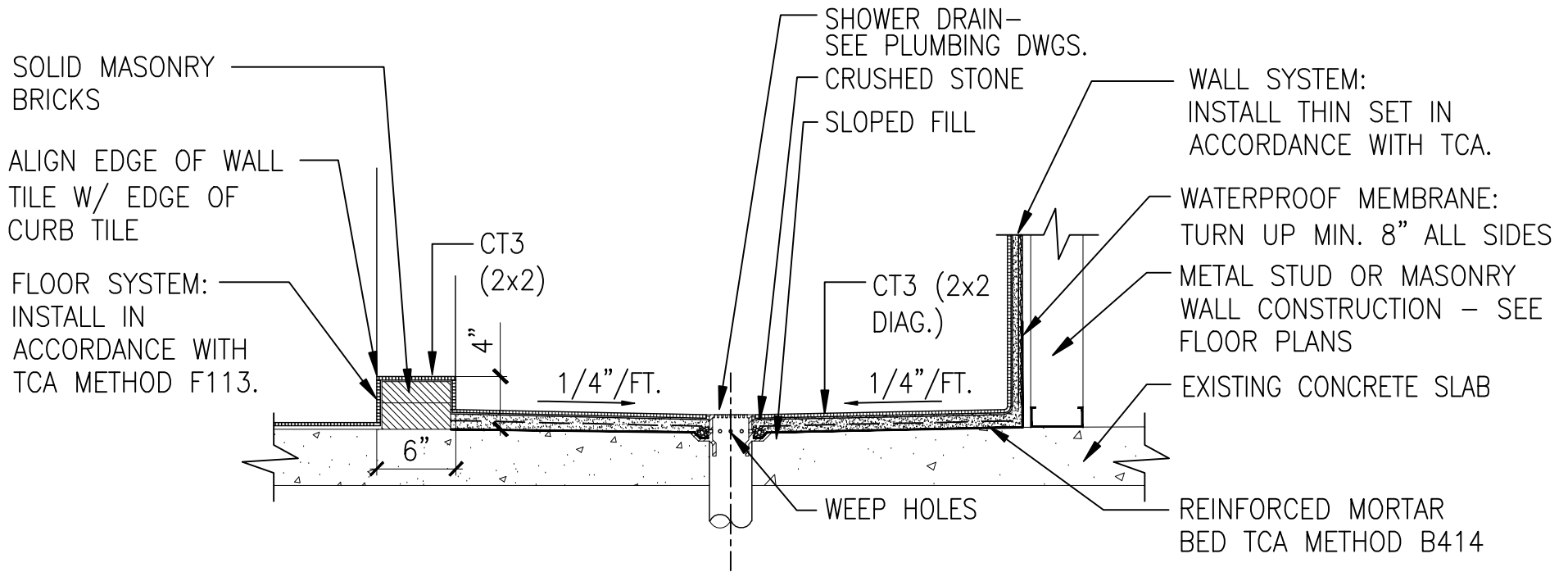
SECTION 10 51 13

METAL LOCKERS

1. Revise paragraph 2.1.1 to read “Double tier lockers must be as follows: Type DTC-2: Double-tier locker 12 inches wide, 12 inches deep, and 72 inches high, attached to a 6 inch high closed base”.

END OF AMENDMENT

(End of Summary of Changes)



SHOWER CURB

SCALE: 1" = 1'-0"